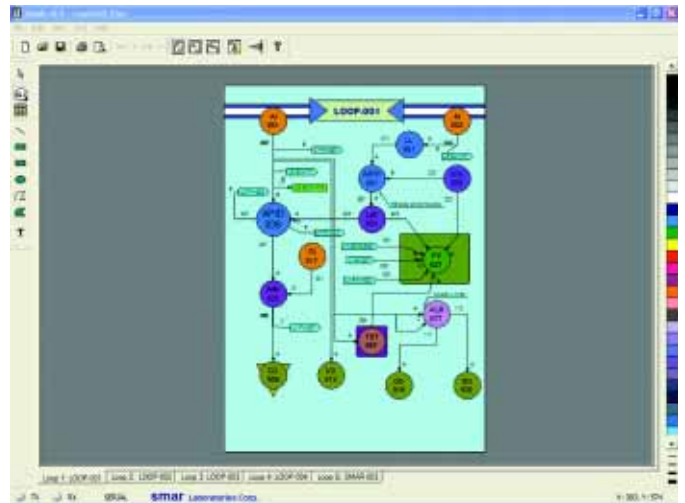


CONF600 Plus is the CD600 configuration interface, developed for Windows, that offers graphic resources and easy Human-Machine Interface operation.

With the CONF600 Plus, it is possible to create, edit, optimize and download the CD600 Plus control strategies and it is also possible to calibrate inputs and outputs, monitor online function blocks, to configure block parameters, to take notes and print the whole documentation.

The control loop configuration is graphically done, using an ISA similar diagram, allowing the user to easily view and implement the control strategy. The download of the configuration is done in less than 2 seconds.



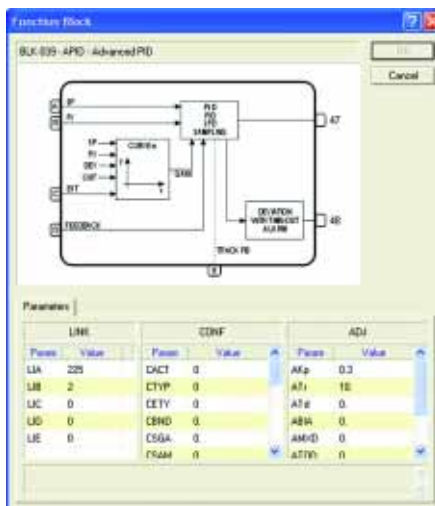
Graphic Interface

The changes in the parameters are done ONLINE. The inputs and outputs of each block can be monitored simultaneously. When using the CONF600 Plus, the manual becomes almost useless, since most of the information of the block is shown on the screen.

Debugging the configuration is now easier and faster.

Main Features

- ✓ Graphic Interface on the Windows™ environment.
- ✓ Geometric sitapes, colors and comments can be easily inserted.
- ✓ Exports/Imports configurations to the Mobile CONF600 Plus.
- ✓ Ready for documentation with print preview.
- ✓ Tools for online edition, calibration, optimization and monitoring.
- ✓ Multilevel Undo.



Function Blocks

smar
www.smar.com

Specifications and information are subject to change without notice.
Up-to-date address information is available on our website.

web: www.smar.com/contactus.asp