

The Smar **ICS** - Serial Converter Interface is a device which converts the EIA-232-D to EIA-485 standard interfaces. The conversion method is totally automatic. It doesn't require any control lines to enable EIA-485 driver. The ICS is ideal for local or remote applications, in digital system connection that requires:

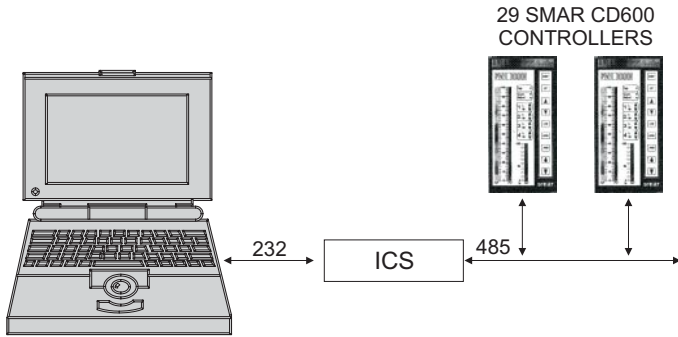
- High baud rates.
- Long distance connections.
- High EMI immunity.
- Ground decoupling.
- High AC line voltage variations.



TECHNICAL CHARACTERISTICS

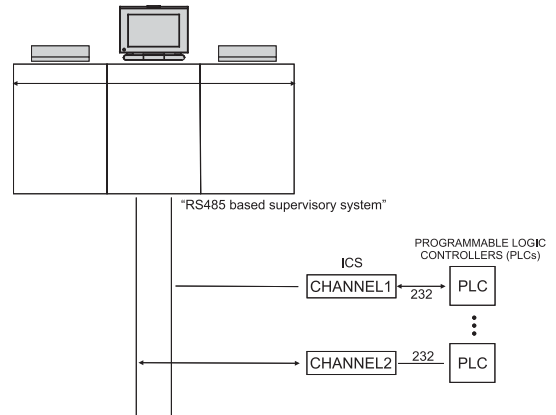
- ✓ Single module mounted on DIN rail
- ✓ Signal conversion between EIA-232 and EIA-485 protocols
- ✓ EIA-232 3-wire connection
- ✓ Automatic EIA 485 driver enabling circuit for baud rate up to 250 Kbps
- ✓ Galvanic isolation between power supply source module, EIA-232 module and EIA-485 module
- ✓ Optical isolated data interfaces between EIA-232 and EIA-485
- ✓ Selectable full-duplex EIA-485 communication with transmitted data echoed to reception module
- ✓ Selectable EIA-485 bus terminator
- ✓ Data buses protected against fast transients
- ✓ Universal input voltage 90 to 240 Vac @50/60Hz or DC

PC -> SMAR CD600 CONTROLLER COMMUNICATION



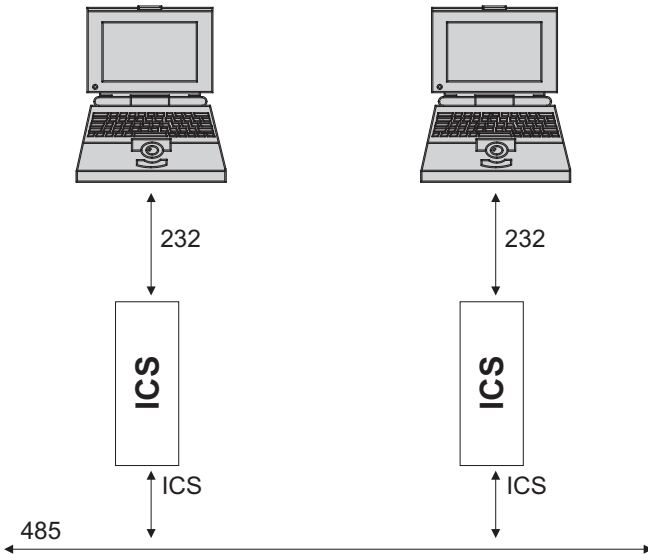
The ICS version 2.0-P allows the communication of a PC with up to 29 CD600 controllers.

DCS -> FIELD EQUIPMENT COMMUNICATION



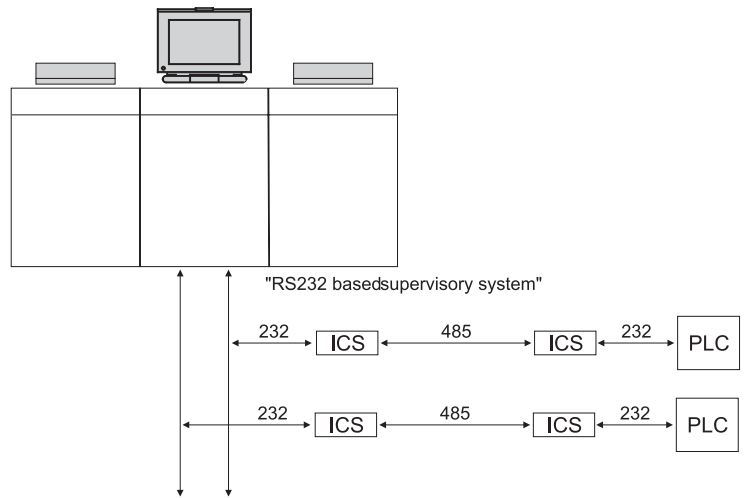
In the supervisory systems which use RS-485 to communicate with field devices, the ICS can be used to integrate them to equipments that only have the 232 interface (PLCs, Acquisition Systems, Terminals, etc).

PC NETWORK



With the ICS it is possible to implement a wide communication network between PCs (over 600m, without repeaters), operating with medium velocity (up to 115200 bps).

DCS -> FIELD EQUIPMENT COMMUNICATION

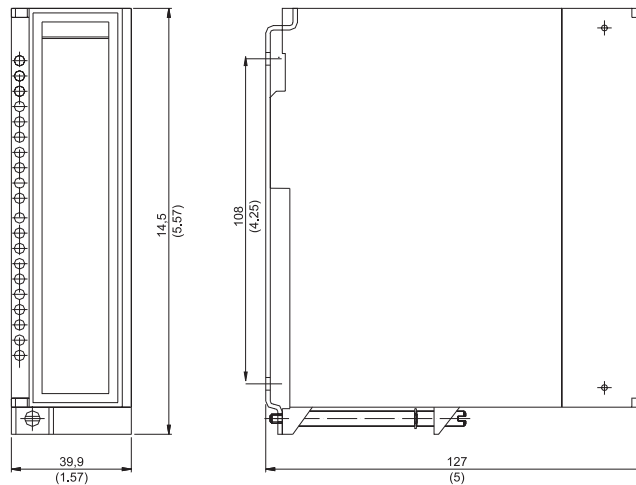


In the supervisory systems which use RS-232 to communicate with field devices, the DCS can be used to integrate RS-232 remote devices (over 1200m, without repeaters, up to 19200 bps).

MODEL ICS2.0P	EIA-232 to EIA 485 Interface Converter	
CODE	EIA-232 standard cable	
C0	It does not include cable	
C1	It includes a 3 meters length cable	
C2	It includes a 5 meters length cable	
C3	It includes a 10 meters length cable	
C4	It includes a 15 meters length cable	
ICS2.0P - C1	(Interface + EIA- 232 standard 3 meters cable)	

EIA-232 to EIA-485 Interface Converter Spare Parts Code	
CODE	EIA-232 Standard Cables
400-0625	3 meters length cable
400-0626	5 meters length cable
400-0627	10 meters length cable
400-0628	15 meters length cable
CODE	Support
DF9	Individual support for single module
400-0626	5 meters length cable

DIMENSIONS



smar
www.smar.com

Specifications and information are subject to change without notice.
Up-to-date address information is available on our website.

web: www.smar.com/contactus.asp

