

DC INPUT MODULE



smar

web: www.smar.com

**Specifications and information are subject to change without notice.
For the latest updates, please visit the SMAR website above.**

BRAZIL

Smar Equipamentos Ind. Ltda.
Rua Dr. Antonio Furlan Jr., 1028
Sertãozinho SP 14170-480
Tel.: +55 16 3946-3510
Fax: +55 16 3946-3554
e-mail: insales@smar.com.br

GERMANY

Smar GmbH
Rheingaustrasse 9
55545 Bad Kreuznach
Germany
Tel: + 49 671-794680
Fax: + 49 671-7946829
e-mail: infoservice@smar.de

USA

Smar International Corporation
6001 Stonington Street, Suite 100
Houston, TX 77040
Tel.: +1 713 849-2021
Fax: +1 713 849-2022
e-mail: sales@smar.com

CHINA

Smar China Corp.
3 Baishiqiao Road, Suite 30233
Beijing 100873, P.R.C.
Tel.: +86 10 6849-8643
Fax: +86-10-6894-0898
e-mail: info@smar.com.cn

MEXICO

Smar Mexico
Cerro de las Campanas #3 desp 119
Col. San Andrés Atenco
Tlalnepantla Edo. Del Méx - C.P. 54040
Tel.: +53 78 46 00 al 02
Fax: +53 78 46 03
e-mail: ventas@smar.com

FRANCE

Smar France S. A. R. L.
42, rue du Pavé des Gardes
F-92370 Chaville
Tel.: +33 1 41 15-0220
Fax: +33 1 41 15-0219
e-mail: smar.am@wanadoo.fr

SINGAPORE

Smar Singapore Pte. Ltd.
315 Outram Road
#06-07, Tan Boon Liat Building
Singapore 169074
Tel.: +65 6324-0182
Fax: +65 6324-0183
e-mail: info@smar.com.sg

NETHERLANDS

Smar Nederland
De Oude Wereld 116
2408TM Alphen aan den Rijn
Tel: +31 172 494 922
Fax: +31 172 479 888
e-mail : info@smarnederland.nl

UNITED KINGDOM

Smar UK Ltd
3, Overhill Road - Cirencester
Gloucestershire -
GL7 2LG
Tel: +44 (0)797 0094138
Fax: +44 (0)797 4747502
e-mail: info@smarUK.co.uk

Smar Research Corporation

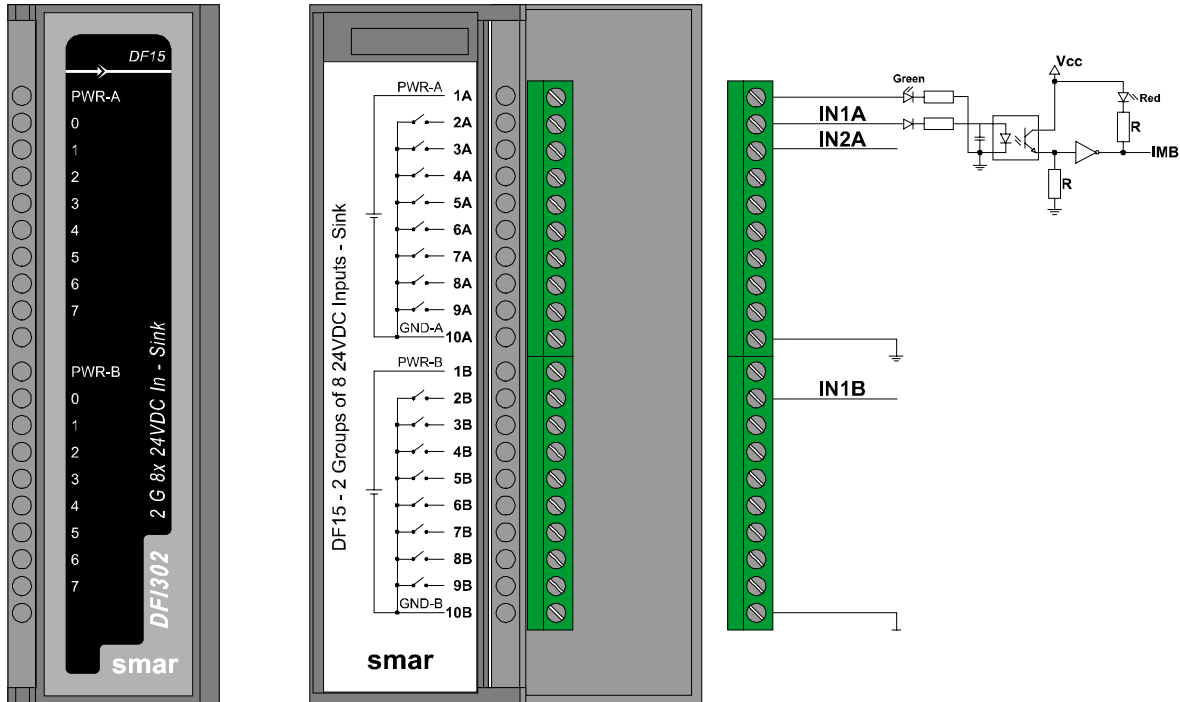
4250 Veterans Memorial Hwy. Suite 156
Holbrook , NY 11741
Tel: +1-631-737-3111
Fax: +1-631-737-3892
e-mail: sales@smarresearch.com

DC Input Module DF15

DF15 (2 groups of 8 24 Vdc inputs - sink - isolated)

Description

The Module senses the DC input Voltage and converts it into a True (ON) or False (OFF) logic signal. It has 2 optically isolated groups of 8 inputs.



Technical specifications

Architecture	
Number of Inputs	16
Number of Groups	2
Number of Points per Group	8

Isolation	
Groups are individually isolated	5000 Vac
Optical Isolation up to	

External Power	
Voltage Source	20 – 30 Vdc
Typical Consumption per group	65 mA
Indicator of source	Green LED

Internal Power	
Provided by the IMB bus	5 Vdc @ 80 mA Maximum
Total Maximum Dissipation	0.4 W
Indicator of source	None

Inputs	
ON State Level (True Logic)	0 – 5 Vdc < 200 Ω
OFF State Level (False Logic)	20 – 30 Vdc > 10 K Ω
Typical Impedance	3K9 Ω
Status display	Yellow LED
Input current per Point	7.5 mA (typical)
Time from “0” to “1”	30 μ s
Time from “1” to “0”	50 μ s

Dimensions and Weight	
Dimensions (WxHxD)	39.9x137.0x141.5 mm ; (1.57x5.39x5.57 in)
Weight	0.285 kg

Wire	
One wire	14 AWG (2 mm ²)
Two wires	20 AWG (0.5 mm ²)