

smar
FIRST IN FIELDBUS

DF18 / DF19

FEB / 01
DF18 / DF19
VERSION 2.0

INSTALLATION MANUAL

AC INPUT MODULE



smar

web: www.smar.com

**Specifications and information are subject to change without notice.
For the latest updates, please visit the SMAR website above.**

BRAZIL

Smar Equipamentos Ind. Ltda.
Rua Dr. Antonio Furlan Jr., 1028
Sertãozinho SP 14170-480
Tel.: +55 16 3946-3510
Fax: +55 16 3946-3554
e-mail: insales@smar.com.br

GERMANY

Smar GmbH
Rheingaustrasse 9
55545 Bad Kreuznach
Germany
Tel: + 49 671-794680
Fax: + 49 671-7946829
e-mail: infoservice@smar.de

USA

Smar International Corporation
6001 Stonington Street, Suite 100
Houston, TX 77040
Tel.: +1 713 849-2021
Fax: +1 713 849-2022
e-mail: sales@smar.com

CHINA

Smar China Corp.
3 Baishiqiao Road, Suite 30233
Beijing 100873, P.R.C.
Tel.: +86 10 6849-8643
Fax: +86-10-6894-0898
e-mail: info@smar.com.cn

MEXICO

Smar Mexico
Cerro de las Campanas #3 desp 119
Col. San Andrés Atenco
Tlalnepantla Edo. Del Méx - C.P. 54040
Tel.: +53 78 46 00 al 02
Fax: +53 78 46 03
e-mail: ventas@smar.com

Smar Laboratories Corporation

6001 Stonington Street, Suite 100
Houston, TX 77040
Tel.: +1 713 849-2021
Fax: +1 713 849-2022
e-mail: sales@smar.com

FRANCE

Smar France S. A. R. L.
42, rue du Pavé des Gardes
F-92370 Chaville
Tel.: +33 1 41 15-0220
Fax: +33 1 41 15-0219
e-mail: smar.am@wanadoo.fr

SINGAPORE

Smar Singapore Pte. Ltd.
315 Outram Road
#06-07, Tan Boon Liat Building
Singapore 169074
Tel.: +65 6324-0182
Fax: +65 6324-0183
e-mail: info@smar.com.sg

Smar Research Corporation

4250 Veterans Memorial Hwy. Suite 156
Holbrook, NY 11741
Tel: +1-631-737-3111
Fax: +1-631-737-3892
e-mail: sales@smarresearch.com

NETHERLANDS

Smar Nederland
De Oude Wereld 116
2408TM Alphen aan den Rijn
Tel: +31 172 494 922
Fax: +31 172 479 888
e-mail : info@smarnederland.nl

UNITED KINGDOM

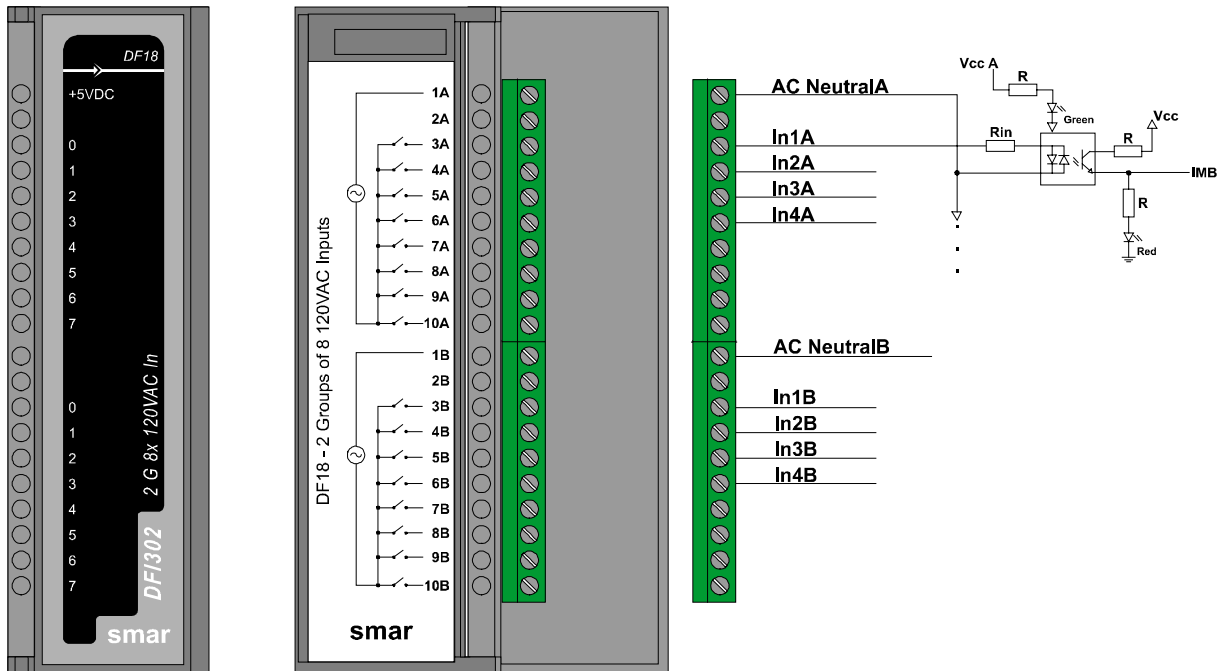
Smar UK Ltd
3, Overhill Road - Cirencester
Gloucestershire -
GL7 2LG
Tel: +44 (0)797 0094138
Fax: +44 (0)797 4747502
e-mail: info@smarUK.co.uk

AC Input Module DF18/DF19

DF18 (2 groups of 8 120 Vac digital inputs)
 DF19 (2 groups of 8 240 Vac digital inputs)

Description

This Module senses the AC input Voltage and converts it to a True (ON) or False (OFF) logic signal. It has 2 optically isolated groups of 8 inputs to detect 120/240 Vac (DF18/DF19 respectively).



Technical specifications

Architecture	
Number of Inputs	16
Number of Groups	2
Number of Points per Group	9

Isolation	
Groups are individually isolated	Optical Isolation up to 5000 Vac

External Power	
Voltage Source for Inputs	120 Vac (DF18)
	240 Vac (DF19)
Typical Consumption per Point	10 mA
Indicator of source	None

Internal Power	
Provided by the IMB bus	5 Vdc, @ 87 mA Maximum
Total Maximum Dissipation	0.435 W
Indicator of source	Green LED

Inputs	
ON State Level (True Logic)	100-140 Vac (DF18) 200-264 Vac (DF19)
OFF State Level (False Logic)	0-30 Vac (DF18) 0-50 Vac (DF19)
Typical Input current	10 mA
Status display	Yellow LED

Switching Information	
Minimum Voltage (0 to 1)	100 Vac (DF18), 45 to 60 Hz 200 Vac (DF19), 45 to 60 Hz
Maximum Voltage (1 to 0)	30 Vac (DF18), 45 to 60 Hz 50 Vac (DF19), 45 to 60 Hz
Typical Hysteresis	70 Vac (DF18) 150 Vac (DF19)
Time from 0 to 1	5 ms
Time from 1 to 0	42 ms

Dimensions and Weight	
Dimensions (WxHxD)	39.9x137.0x141.5 mm ; (1.57x5.39x5.57 in)
Weight	0.300 kg

Wire	
One wire	14 AWG (2 mm ²)
Two wires	20 AWG (0.5 mm ²)