

smar
FIRST IN FIELDBUS

DF21

MAY / 02
DF21
VERSION 2.0

INSTALLATION MANUAL

OPEN COLLECTOR OUTPUTS MODULE



smar

web: www.smar.com

**Specifications and information are subject to change without notice.
For the latest updates, please visit the SMAR website above.**

BRAZIL

Smar Equipamentos Ind. Ltda.
Rua Dr. Antonio Furlan Jr., 1028
Sertãozinho SP 14170-480
Tel.: +55 16 3946-3510
Fax: +55 16 3946-3554
e-mail: insales@smar.com.br

GERMANY

Smar GmbH
Rheingaustrasse 9
55545 Bad Kreuznach
Germany
Tel: + 49 671-794680
Fax: + 49 671-7946829
e-mail: infoservice@smar.de

USA

Smar International Corporation
6001 Stonington Street, Suite 100
Houston, TX 77040
Tel.: +1 713 849-2021
Fax: +1 713 849-2022
e-mail: sales@smar.com

CHINA

Smar China Corp.
3 Baishiqiao Road, Suite 30233
Beijing 100873, P.R.C.
Tel.: +86 10 6849-8643
Fax: +86-10-6894-0898
e-mail: info@smar.com.cn

MEXICO

Smar Mexico
Cerro de las Campanas #3 desp 119
Col. San Andrés Atenco
Tlalnepantla Edo. Del Méx - C.P. 54040
Tel.: +53 78 46 00 al 02
Fax: +53 78 46 03
e-mail: ventas@smar.com

FRANCE

Smar France S. A. R. L.
42, rue du Pavé des Gardes
F-92370 Chaville
Tel.: +33 1 41 15-0220
Fax: +33 1 41 15-0219
e-mail: smar.am@wanadoo.fr

SINGAPORE

Smar Singapore Pte. Ltd.
315 Outram Road
#06-07, Tan Boon Liat Building
Singapore 169074
Tel.: +65 6324-0182
Fax: +65 6324-0183
e-mail: info@smar.com.sg

NETHERLANDS

Smar Nederland
De Oude Wereld 116
2408TM Alphen aan den Rijn
Tel: +31 172 494 922
Fax: +31 172 479 888
e-mail : info@smarnederland.nl

UNITED KINGDOM

Smar UK Ltd
3, Overhill Road - Cirencester
Gloucestershire -
GL7 2LG
Tel: +44 (0)797 0094138
Fax: +44 (0)797 4747502
e-mail: info@smarUK.co.uk

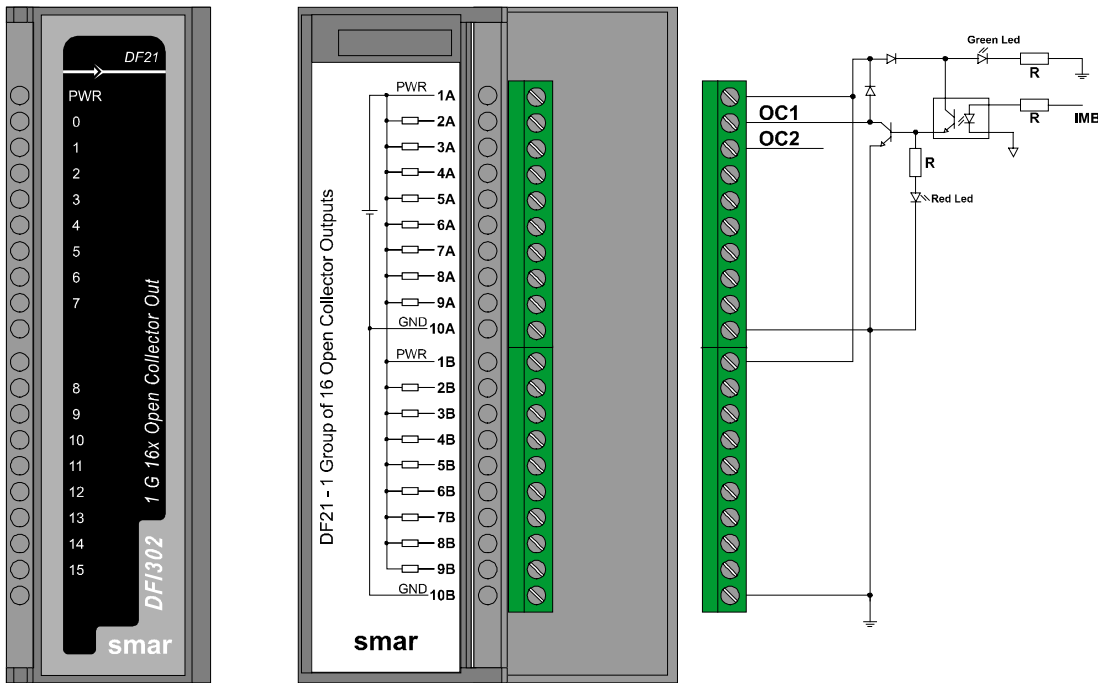
Smar Research Corporation

4250 Veterans Memorial Hwy. Suite 156
Holbrook , NY 11741
Tel: +1-631-737-3111
Fax: +1-631-737-3892
e-mail: sales@smarresearch.com

Open Collector Outputs Module DF21 DF21 (1 Groups of 16 Open Collector Outputs)

Description

This Module is designed with open collector NPN transistors that are able to drive relays, incandescence lamps, solenoids and other loads with up to 0.5 A per output. It has one group of 16 optically isolated open collector outputs. This means that all of them work under a common ground.



Technical specifications

Architecture	
Number of Outputs	16
Number of Groups	1
Number of Points per Group	16

Isolation	
Optical Isolation up to	5000 Vac

External Power	
Voltage Source for Outputs	20 to 30 Vdc
Maximum Consumption	65 mA
Indicator of Source	Green LED

Internal Power	
Provided by the IMB bus	5 Vdc @ 70 mA Maximum
Total Maximum Dissipation	0.35 W
Indicator of source	None

Outputs	
Maximum Switched Voltage	30 Vdc
Maximum Saturation Voltage	0.55 V @ 0.5 A
Maximum Current per Output	0.5 A
Status Display	Yellow LED
Indicator Logic	ON when the transistor is on
Maximum Leakage Current	10 μ A @ 35 Vdc
Switch Capacity for Bulbs	15 W

Independent Protection per Output	
Thermal Shutdown	165 °C
Thermal Hysteresis	15 °C
Over-Current Protection	1.3 A @ 25 Vdc maximum
Clamp Diode	

Switching Information	
Time from 0 to 1	250 μ s
Time from 1 to 0	3 μ s

Dimensions and Weight	
Dimensions (WxHxD)	39.9x137.0x141.5 mm ; (1.57x5.39x5.57 in)
Weight	0.260 kg

Wire	
One wire	14 AWG (2 mm ²)
Two wires	20 AWG (0.5 mm ²)