

DF23

smar
First in Fieldbus

MAY / 06
DF23
VERSION 2.0

AC Discrete Output Module



smar

web: www.smar.com

**Specifications and information are subject to change without notice.
For the latest updates, please visit the SMAR website above.**

BRAZIL

Smar Equipamentos Ind. Ltda.
Rua Dr. Antonio Furlan Jr., 1028
Sertãozinho SP 14170-480
Tel.: +55 16 3946-3510
Fax: +55 16 3946-3554
e-mail: insales@smar.com.br

GERMANY

Smar GmbH
Rheingaustrasse 9
55545 Bad Kreuznach
Germany
Tel: + 49 671-794680
Fax: + 49 671-7946829
e-mail: infoservice@smar.de

USA

Smar International Corporation
6001 Stonington Street, Suite 100
Houston, TX 77040
Tel.: +1 713 849-2021
Fax: +1 713 849-2022
e-mail: sales@smar.com

CHINA

Smar China Corp.
3 Baishiqiao Road, Suite 30233
Beijing 100873, P.R.C.
Tel.: +86 10 6849-8643
Fax: +86-10-6894-0898
e-mail: info@smar.com.cn

MEXICO

Smar Mexico
Cerro de las Campanas #3 desp 119
Col. San Andrés Atenco
Tlalnepantla Edo. Del Méx - C.P. 54040
Tel.: +53 78 46 00 al 02
Fax: +53 78 46 03
e-mail: ventas@smar.com

FRANCE

Smar France S. A. R. L.
42, rue du Pavé des Gardes
F-92370 Chaville
Tel.: +33 1 41 15-0220
Fax: +33 1 41 15-0219
e-mail: smar.am@wanadoo.fr

SINGAPORE

Smar Singapore Pte. Ltd.
315 Outram Road
#06-07, Tan Boon Liat Building
Singapore 169074
Tel.: +65 6324-0182
Fax: +65 6324-0183
e-mail: info@smar.com.sg

NETHERLANDS

Smar Nederland
De Oude Wereld 116
2408TM Alphen aan den Rijn
Tel: +31 172 494 922
Fax: +31 172 479 888
e-mail: info@smarnederland.nl

UNITED KINGDOM

Smar UK Ltd
3, Overhill Road - Cirencester
Gloucestershire -
GL7 2LG
Tel: +44 (0)797 0094138
Fax: +44 (0)797 4747502
e-mail: info@smarUK.co.uk

Smar Research Corporation

4250 Veterans Memorial Hwy. Suite 156
Holbrook , NY 11741
Tel: +1-631-737-3111
Fax: +1-631-737-3892
e-mail: sales@smarresearch.com

AVOIDING ELECTROSTATIC DISCHARGES



ATTENTION

Electrostatic discharges may damage semiconductors electronics components found in the boards. Generally, they may occur when these components or connectors pins in the modules and racks are touch, without using any appropriated equipment to prevent the electrostatic discharges.

It is extremely recommendable the following procedures:

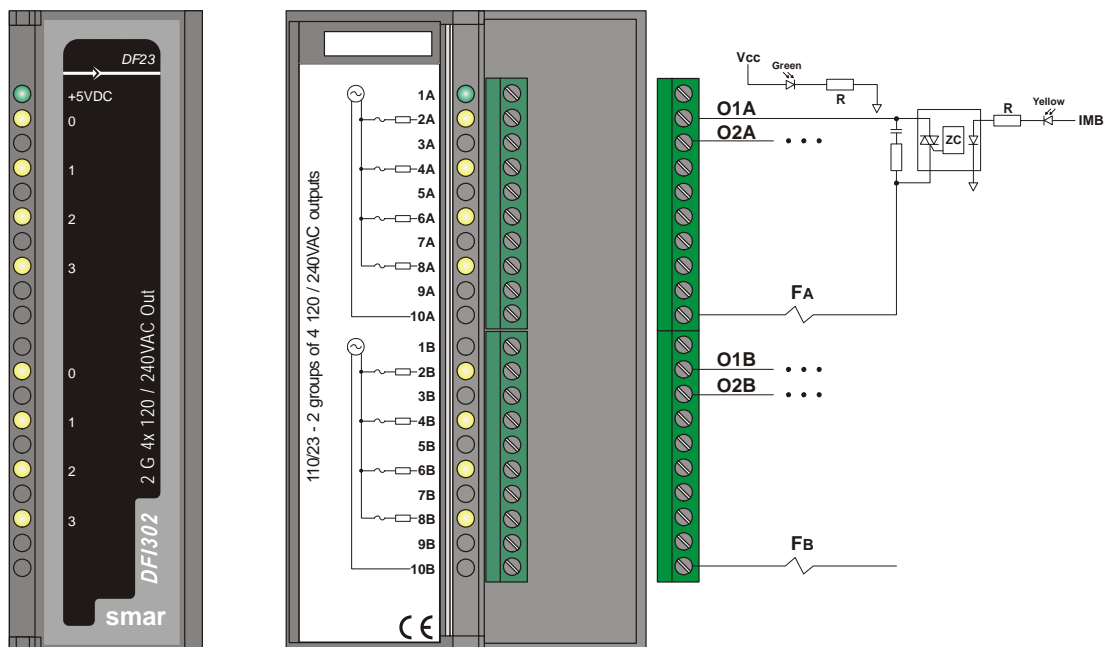
- Before handling the modules and racks, discharge the electrostatic charge found in the body through appropriated equipments or even touching grounded equipments;
- Avoid touching in the electronics components or in the connectors pins in the racks and modules.

DF23 – AC DISCRETE OUTPUT MODULE

DF23 (2 Isolated Groups of 4 240 Vac Outputs)

Description

This Module is designed to drive relays, pilot lamps, valves and other loads up to 1A per output. It has 2 optically isolated groups of 4 outputs. These outputs are able to switch any voltage from 20 to 240 Vac.



Technical Specifications

ARCHITECTURE	
Number of Outputs	8
Number of Groups	2
Number of Points per Group	4

ISOLATION	
Groups are individually isolated.	
Optical Isolation up to	2500 Vac

EXTERNAL POWER	
Voltage Source	20 to 240 Vac, 45 to 65 Hz
Maximum Consumption per group	4 A
Power Supply Indicator	None
Protection	One fuse per group

INTERNAL POWER	
Provided by the IMB bus	5 Vdc @ 70 mA Maximum
Total Maximum Dissipation	35 W
Power Supply Indicator	Green LED

OUTPUTS	
Voltage Output	20 to 240 Vac, 45-65 Hz
Maximum Current per Output	1 A
Maximum Total Current per Group	4 A @ T _{amb} 0-40 °C (32-104 °F) 2 A @ T _{amb} 40-60 °C (104-140 °F)
Maximum Surge Current	15 A / 0.5 cycle, 1 surge per minute maximum
Status Display	Yellow LED
Indicator Logic	When Active
Off state Voltage Leakage Current	500 μ A @ 100 Vac
On state Voltage drop	1.5 Vac rms maximum
Over Load Protection per Output	Should be provided externally (fast acting fuse rated at 1.5 times user continuous current).

SWITCHING INFORMATION	
Zero cross operation; Ton, Toff	1/2 cycle
RC Protection Circuit	62 Ω in series with 0.01 μ F

DIMENSIONS AND WEIGHT	
Dimensions (W x D x H)	39.9 x 137.0 x 141.5 mm ; (1.57 x 5.39 x 5.57 in)
Weight	0.295 kg

CABLES	
One wire	14 AWG (2 mm ²)
Two wires	20 AWG (0.5 mm ²)

