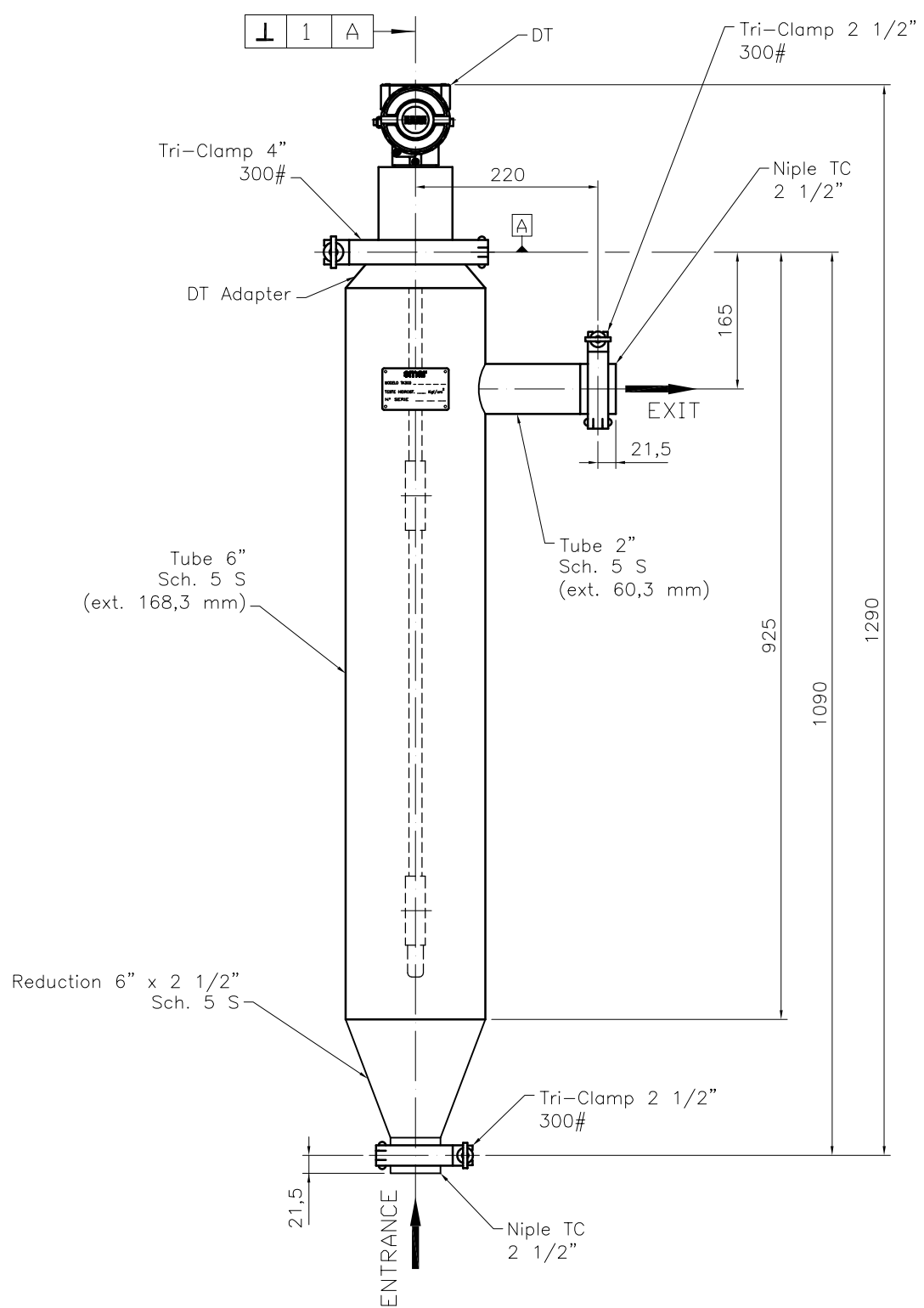


Rev. 1 Redesigned and modified the tank ALT-DD-0048/2010



NOTES:

- Material of the tubes and connections = AISI 304
- Internal and External Superficial Finish = Polished
- Hydrostatic Test = 50 Kg/cm²

| | | | | | | | | |
|-----|------------------------|----------------------|------|---|--------------|--------------|--------------|---------------|
| | / / | / / | | DRAWING | DESIGNING | CHECKING | APPROVAL | smar |
| | / / | / / | | ADEMIR | ADEMIR | MATEUS | IVAN SOUZA | |
| | / / | / / | | 11 / 20 / 06 | 11 / 20 / 06 | 11 / 22 / 06 | 11 / 22 / 06 | |
| | / / | / / | | CUSTOMER | | | | DS |
| | / / | / / | | EQUIPMENT: TANK SANITARY ASCENDING FLOW AISI 304 | | | | DRAWING N°: |
| 1 | ADEMIR 22 / 05 / 10 | IVAN 22 / 05 / 10 | IND. | DRAWING TYPICAL FOR INSTALATION TANK ASCENDING FLOW | | | | 101-A-6215-01 |
| REV | DESIGNING | APPROVAL | AREA | AISÍ 304 OF 6" FOR 2 1/2" CODE TK300S-31-J1-T1 | | | | SC 1:7,5 SH / |