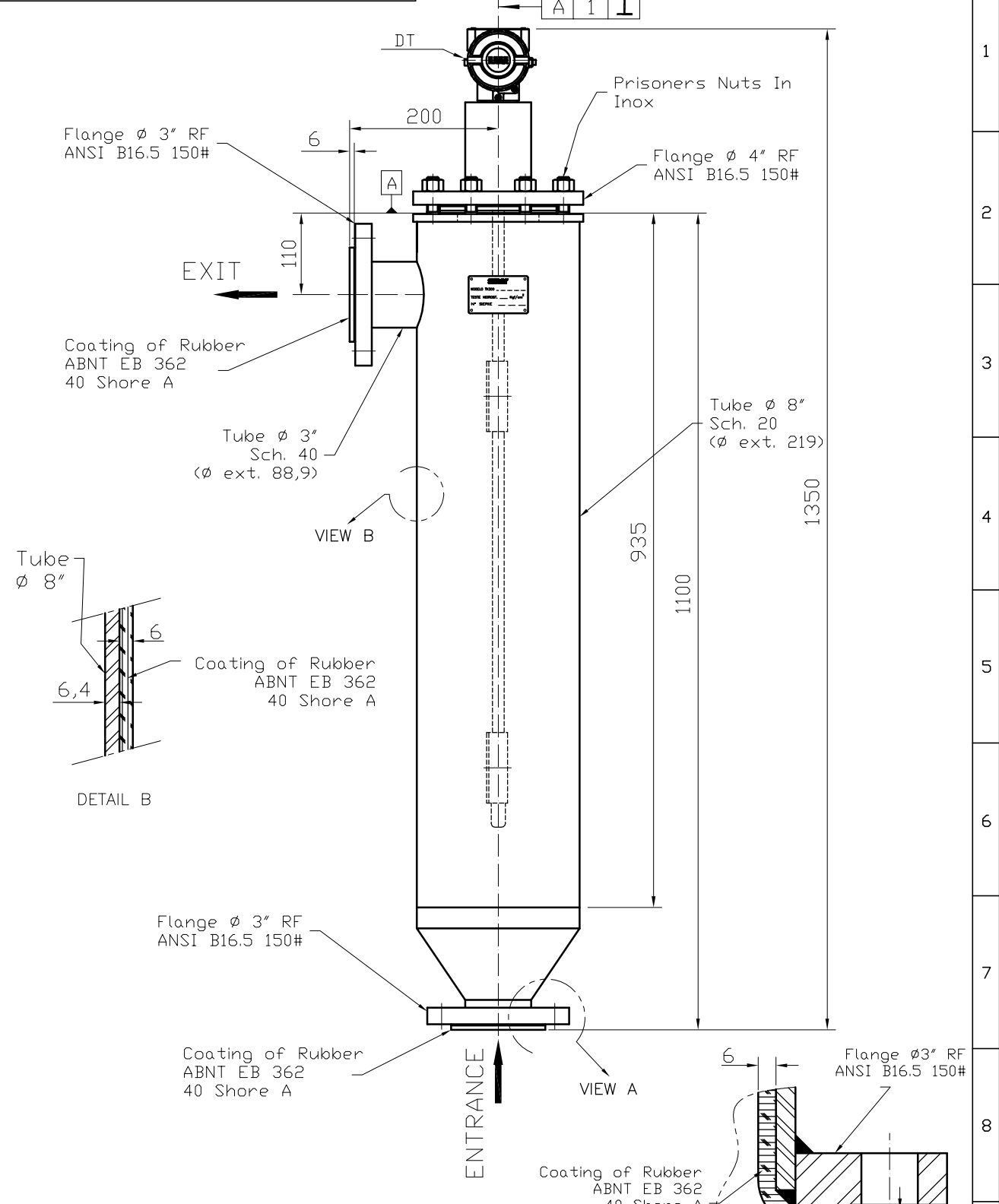


A	B	C	D	E	F	G
---	---	---	---	---	---	---

Rev. 1 Redesigned ALT-DD-0048/2010



**NOTES:**

- Material of the tubes and connections = Steel Carbon ASTM A 53
- Material of the Flanges According ASTM A 36
- Finish Internal Coating With Rubber Natural Thickness 6 mm 40 Shore A
- Superficial Finish = Gray Munsell N6,5 Polyester Painting
- Hydrostatic Test = 20 Kg/cm<sup>2</sup>

				DRAWING	DESIGNING	CHECKING	APPROVAL	<b>smar</b>	
	/ /	/ /		ADEMIR	ADEMIR	MARCELO	IVAN		
	/ /	/ /		03 / 11 / 05	03 / 11 / 05	04 / 11 / 05	04 / 11 / 05		
	/ /	/ /		CUSTOMER					DS
	/ /	/ /		EQUIPMENT: CARBON STEEL SAMPLE TANK UPFLOW RUBBERIZED				DRAWING N:	
1	ADEMIR	IVAN	IND	DRAWING TYPICAL FOR INSTALLATION TANK ASCENDING FLOW STEEL CARBON				101-A-9251-01	
REV	DESIGNING	APPROVAL	AREA	COATING RUBBER ENTRANCE END EXIT 3" CODE TK300I-42-51-31/PO				SC 1:7,5	SH /