



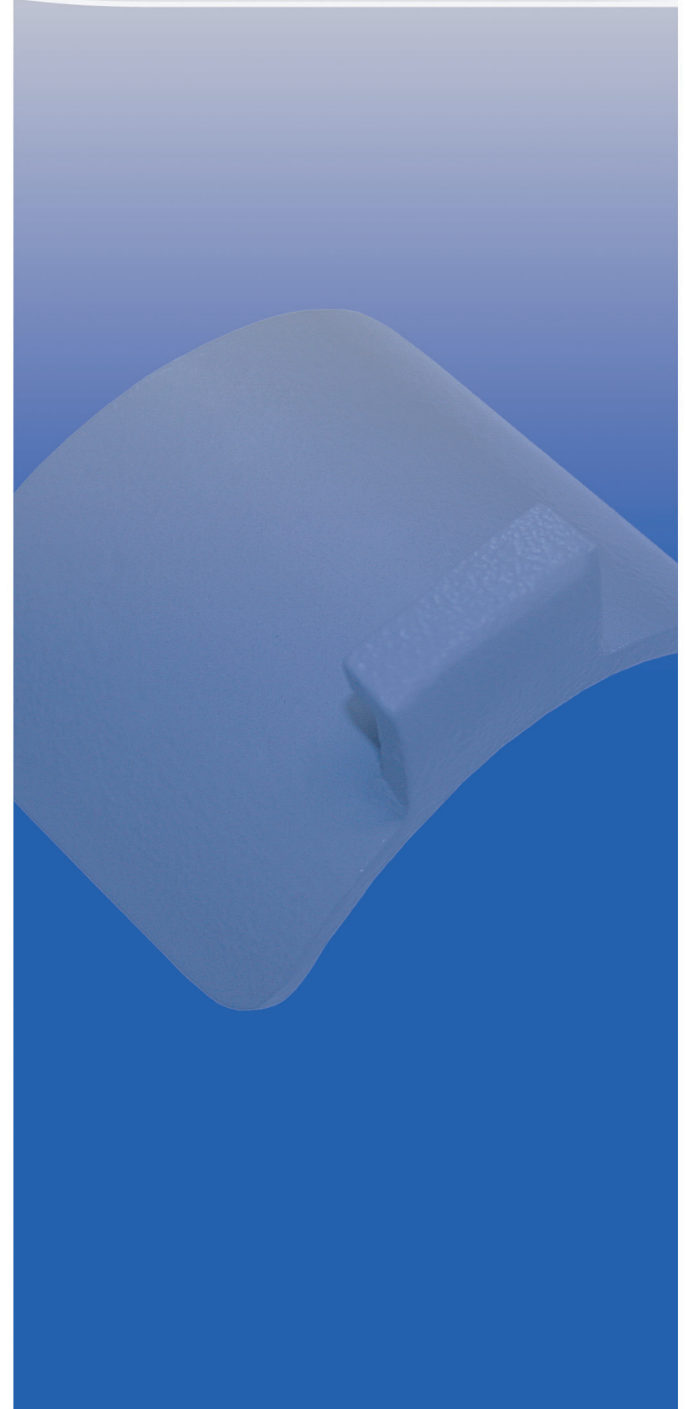
CRG300

PROFIBUS-DP/PA, FOUNDATION™ fieldbus,
AS-i, DeviceNet, Modbus

CABLE ROUTE GUIDE

DESCRIPTION

This is a mechanical device that facilitates the routing of PROFIBUS-PA, PROFIBUS-DP, FOUNDATION™ fieldbus, AS-i, DeviceNet, Modbus and Conventional cables to guarantee the correct curviness of the cable, respecting the minimum curviness. Whenever this curviness is violated there is a change in the cable impedance, causing signal reflection. This device was designed for cabinet and field mounting.

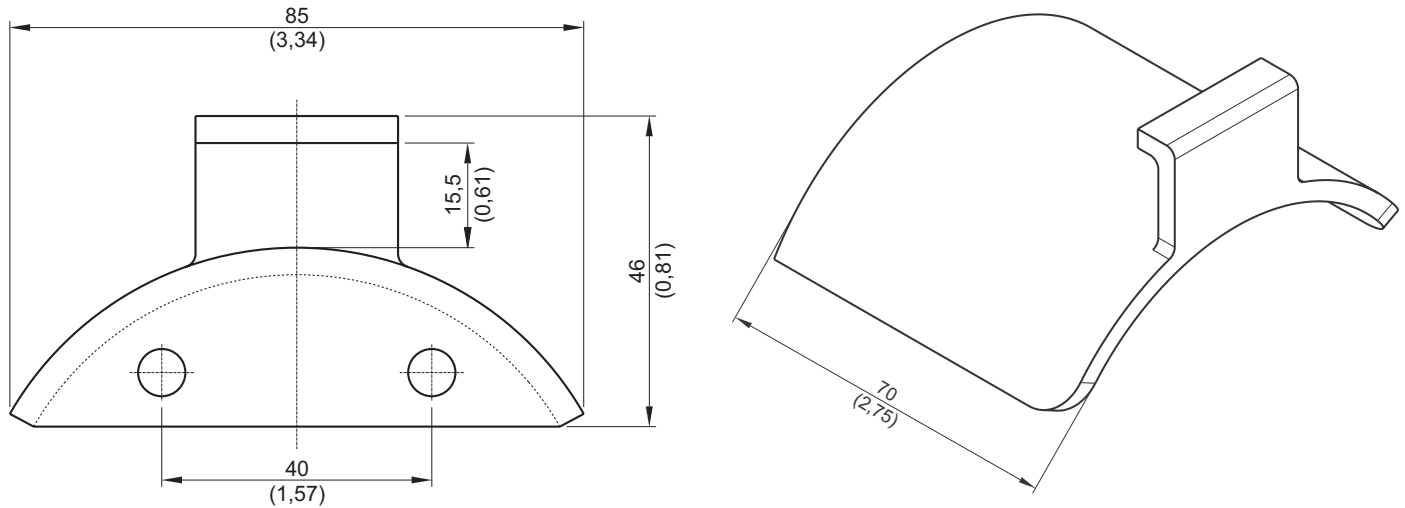


smar

The CRG300 fixation is performed using the screws as dimensional drawing. The screws are not supplied by Smar.

Dimensional Drawings

Dimensions are in millimeters, and in brackets for inches.



Ordering Code

CRG300 - Cable Route Guide

Note:

The minimum order is 3 pieces.

smar
www.smar.com

Specifications and information are subject to change without notice.
Up-to-date address information is available on our website.

web: www.smar.com/contactus.asp



CRG300CE