

# ISD600P

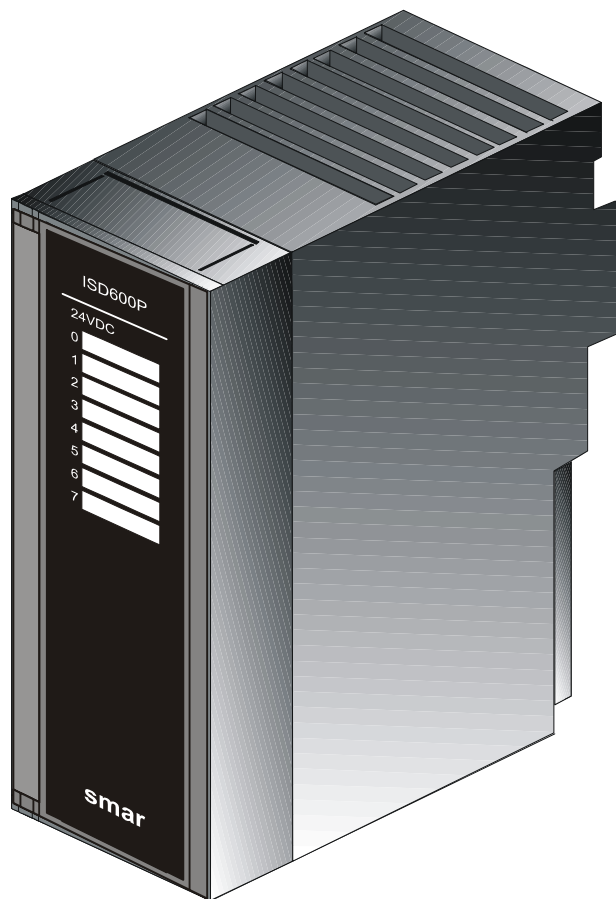
smar  
FIRST IN FIELD BUS

MAR / 05  
ISD600P  
VERSION 01



TECHNICAL INFORMATION

## DIGITAL OUTPUT ISOLATOR FOR CD600 / CD600 Plus



smar  
www.smar.com

Specifications and information are subject to change without notice.  
Up-to-date address information is available on our website.

web: [www.smar.com/contactus.asp](http://www.smar.com/contactus.asp)

# DIGITAL OUTPUT ISOLATOR FOR CD600 / CD600 Plus

The ISD600P Digital Output Isolator is an auxiliary module for the CD600 / CD600 Plus Multi-loop Digital Controller, which converts the open-collector digital outputs into relays outputs. This increases the rating of outputs, allowing the connections of higher loads.

## Technical Characteristics

POWER SUPPLY	
24 Vdc $\pm$ 10%	
MAXIMUM CONSUMPTION	
170 mA	
OUTPUTS	
2 groups of 4 outputs SPST NO (Normally Open)	
Max. Current per Output	5A
Max. Total Current	10A per group

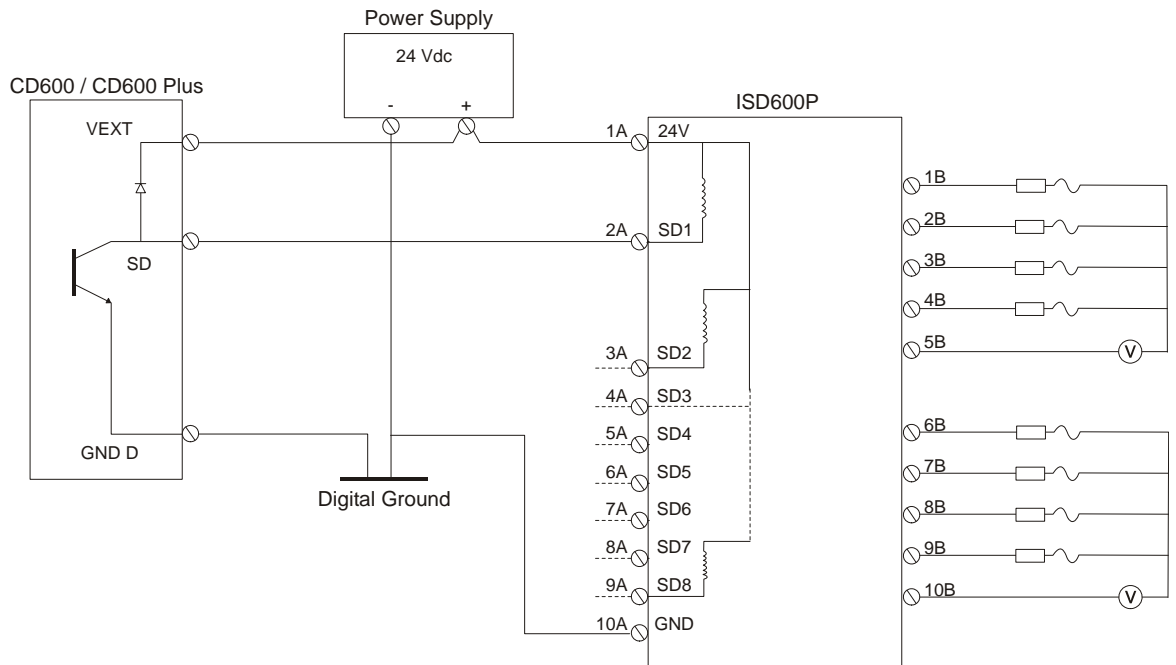


Figure 1 – Connection Diagram (CD600 / CD600 Plus / ISD600P)

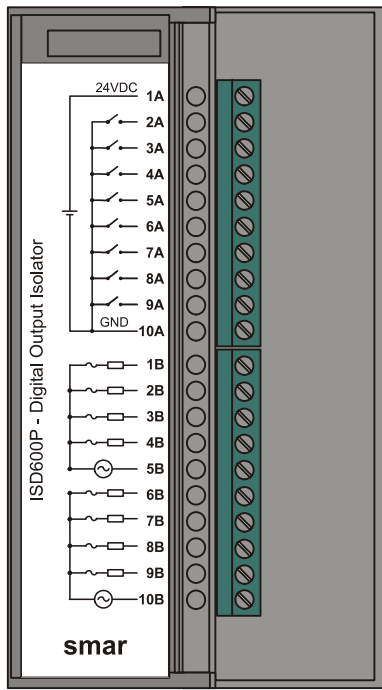


Figure 2 – Terminal Block

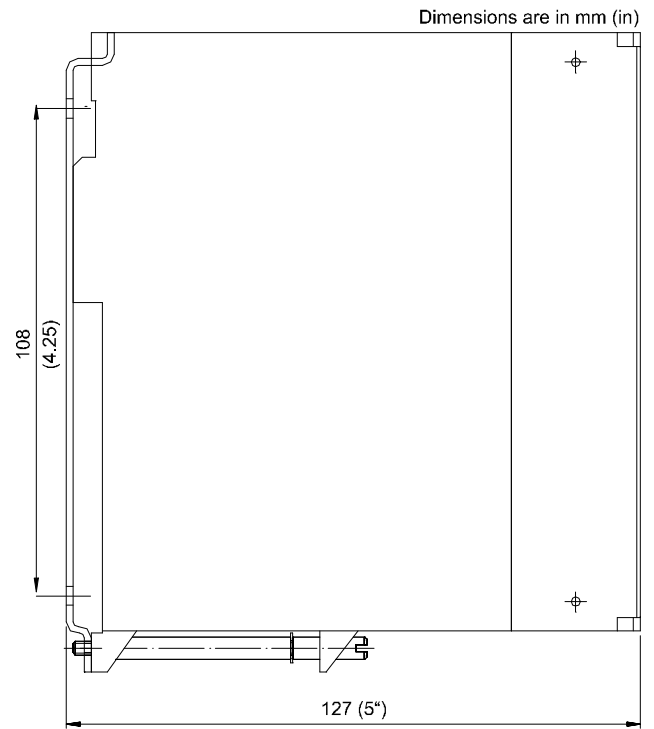
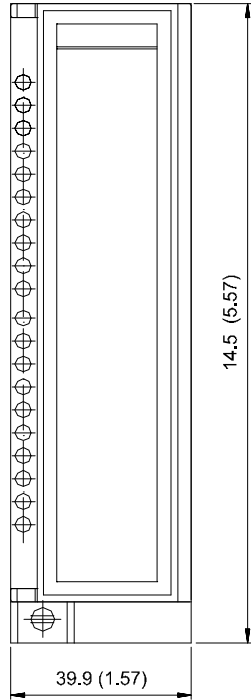


Figure 3 - Dimensions

# Appendix A

<b>smar</b>	<b>SRF – Service Request Form</b>	
	ISD600 – Digital Output Isolator for CD600 / CD600 Plus	Proposal N°:
<b>COMPANY INFORMATION</b>		
Company: _____ Unit: _____ Invoice: _____		
<b>COMMERCIAL CONTACT</b>		
Full Name: _____ Phone: _____ Fax: _____ E-mail: _____		
<b>TECHNICAL CONTACT</b>		
Full Name: _____ Phone: _____ Extension: _____ E-mail: _____		
<b>EQUIPMENT DATA</b>		
Model: _____ Serial Number: _____		
<b>PROCESS DATA</b>		
Process Type (Ex. boiler control): _____ Operation Time: _____ Failure Date: _____		
<b>FAILURE DESCRIPTION</b>		
(Please, describe the failure. Can the error be reproduced? Is it repetitive?) _____ _____ _____ _____		
<b>NOTES</b>		
_____ _____ _____ _____		
<b>USER INFORMATION</b>		
Company: _____ Contact: _____ Section: _____ Title: _____ Signature: _____ Phone: _____ Extension: _____ E-mail: _____ Date: ____/____/____		
For warranty or non-warranty repair, please contact your representative. Further information about address and contacts can be found on <a href="http://www.smar.com/contactus.asp">www.smar.com/contactus.asp</a>		

